

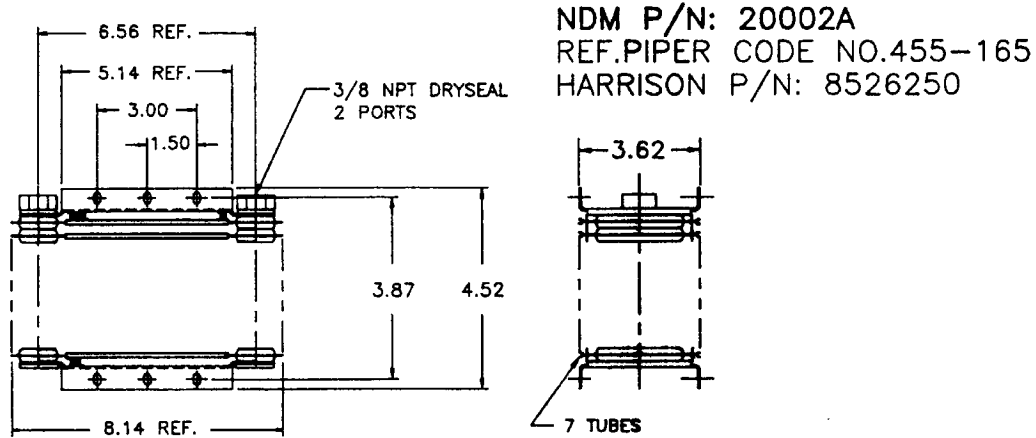
Niagara Air Parts

2221 Niagara Falls Blvd
Niagara Falls, New York, 14304

Phone 1-800-565-4268

International Phone 1-705-326-1368 Fax 1-705-326-8105

E - mail sales@niagaraairparts.com



PROOF PRESSURE TESTED AT 400 PSIG

LEAK TESTED AT 100 PSIG

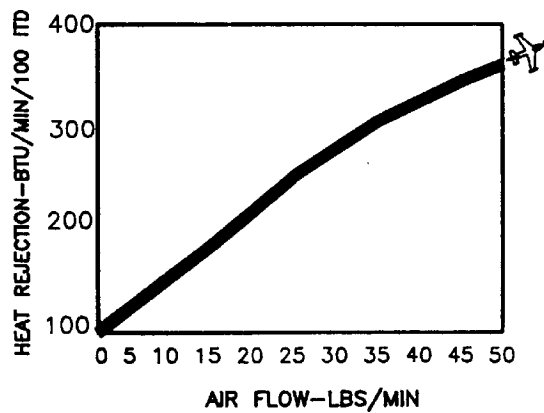
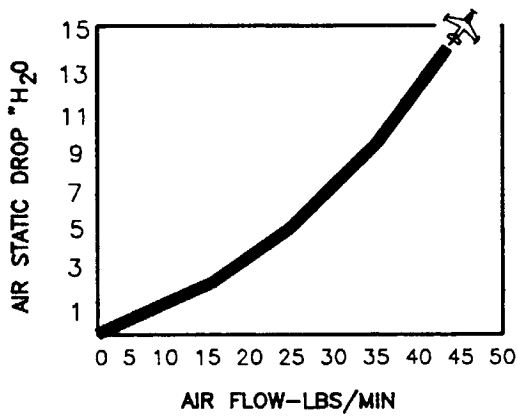
FAA/PMA ELIGIBILITY: CESSNA-150 & 152 SERIES
PIPER-PA28-161, PA28-181
BEECH-P19, C23, A24R, MODEL 77, SIERRA 200
BUSH-CONVERSIONS-150, 170, 172, 175
MACHEN-601, 602P
UNIVAIR-108, 108-1, 108-2, 108-3

CORROSION PROTECTION: PER MIL-C-5541 CLASS 1A.

DESIGN CONSTRUCTION: LIGHT WEIGHT DRAWN ALUMINUM TUBES ARE CLINCHED AND VACUUM BRAZED PROVIDING STRUCTURAL INTEGRITY, LOW PRESSURE DROP, AND EFFICIENT HEAT TRANSFER.

DRY WEIGHT: 1.9 LBS.

PERFORMANCE



OIL FLOW: 50 LBS/MIN

OIL PRESSURE DROP: 5.3 PSI