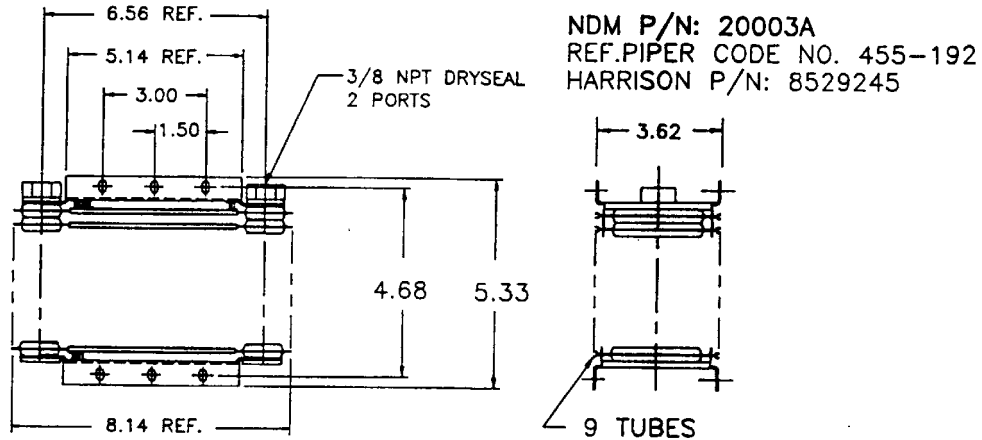


Niagara Air Parts

2221 Niagara Falls Blvd.
Niagara Falls, New York, 14304

Phone 1-800-565-4268
International Phone 1-705-326-1368 Fax 1-705-326-8105
E mail sales@niagaraairparts.com



PROOF PRESSURE TESTED AT 400 PSIG

LEAK TESTED AT 100 PSIG

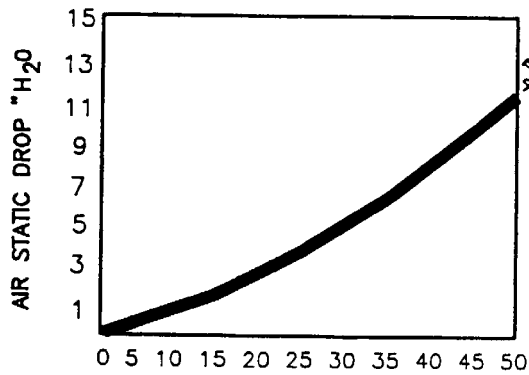
FAA/PMA ELIGIBILITY: MAULE AIRCRAFT-M5-2350, M6-235
PIPER-PA28-236, PA32-301

CORROSION PROTECTION: PER MIL-C-5541 CLASS 1A.

DESIGN CONSTRUCTION: LIGHT WEIGHT DRAWN ALUMINUM TUBES ARE CLINCHED AND VACUUM BRAZED PROVIDING STRUCTURAL INTEGRITY, LOW PRESSURE DROP, AND EFFICIENT HEAT TRANSFER.

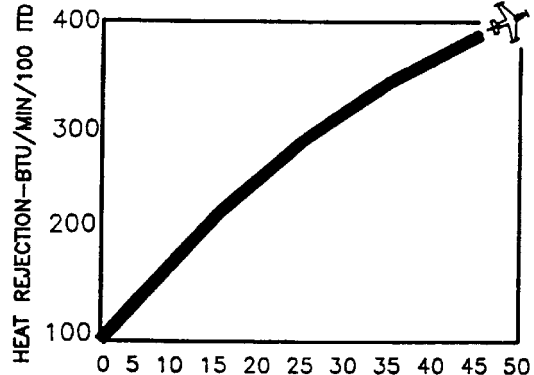
DRY WEIGHT: 2.4 LBS.

PERFORMANCE



AIR FLOW-LBS/MIN

OIL FLOW 50 LBS/MIN



AIR FLOW-LBS/MIN

OIL PRESSURE DROP 3.3 PSI