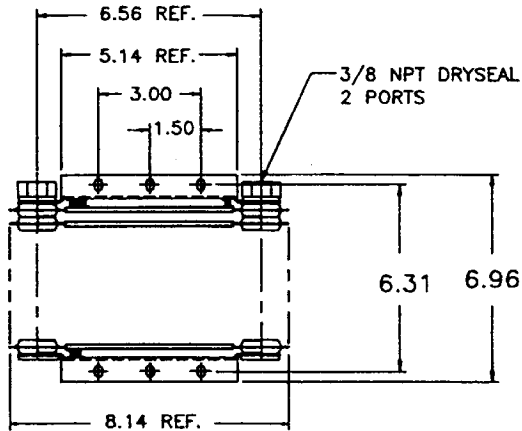
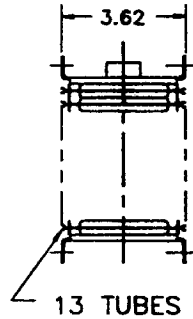


Niagara Air Parts

2221 Niagara Falls Blvd.
Niagara Falls, New York, 14304
Phone 1-800-565-4268
Tel 1-705-326-1368 Fax 1-705-326-8105
E-mail sales@niagaraairparts.com



NDM P/N: 20006A
REF. PIPER CODE NO. 455-113
HARRISON P/N: 8534108



PROOF PRESSURE TESTED AT 400 PSIG

LEAK TESTED AT 100 PSIG

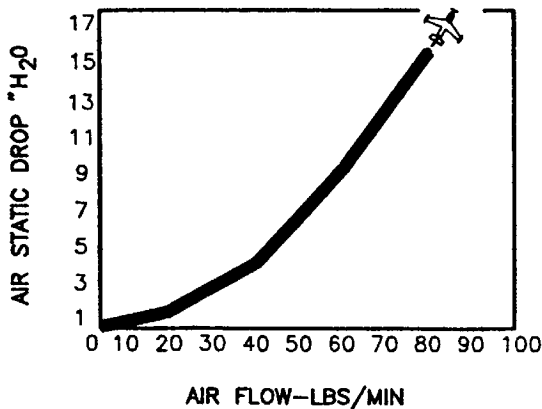
FAA/PMA ELIGIBILITY: PILATUS BRITTEN-NORMAN BN-2A, BN-2B
PITTS AEROBATICS- PITTS S2B

CORROSION PROTECTION: PER MIL-C-5541 CLASS 1A.

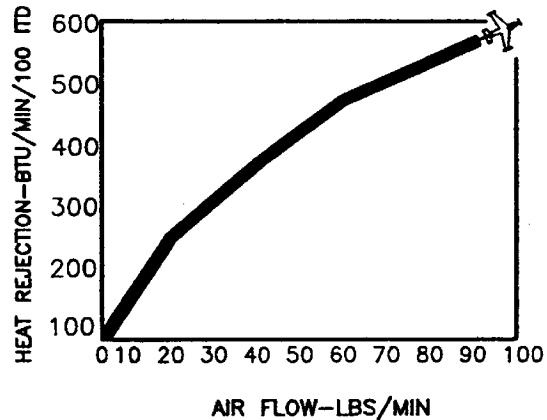
DESIGN CONSTRUCTION: LIGHT WEIGHT DRAWN ALUMINUM TUBES ARE CLINCHED AND VACUUM BRAZED PROVIDING STRUCTURAL INTEGRITY, LOW PRESSURE DROP, AND EFFICIENT HEAT TRANSFER.

DRY WEIGHT: 3.0 LBS.

PERFORMANCE



OIL FLOW 50 LBS/MIN.



OIL PRESSURE DROP 1.6 PSI