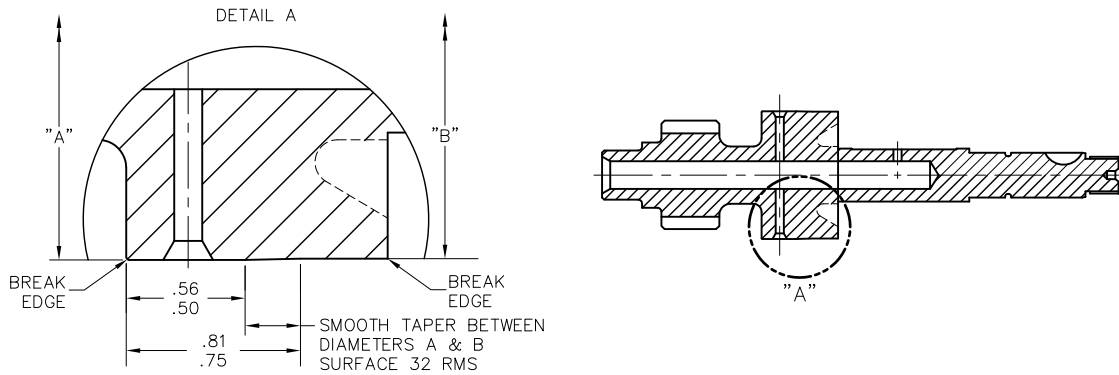
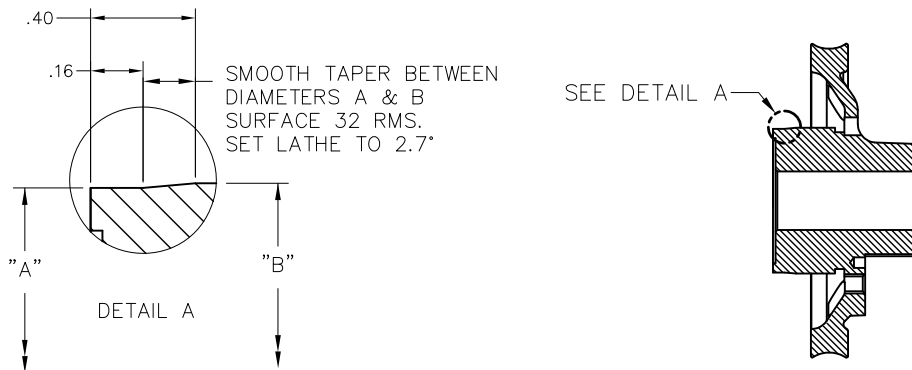


643109, 643110 SERIES SHAFT AND WORM WHEEL SIZES



Shaftgear Drum Dimensions

Description	"A" Diameter		"B" Diameter	
	Min.	Max.	Min.	Max.
New Shaftgear Drum	1.9480	1.9500	1.9365	1.9385
0.005 Undersize	1.9430	1.9450	1.9315	1.9335
0.010 Undersize	1.9380	1.9400	1.9265	1.9285
0.015 Undersize	1.9330	1.9350	1.9215	1.9235



Worm Wheel Drum Dimensions

Description	"A" Diameter		"B" Diameter	
	Min.	Max.	Min.	Max.
New Worm Wheel Drum	1.9365	1.9385	1.9550	1.9600
0.005 Undersize	1.9315	1.9335	1.9500	1.9550
0.010 Undersize	1.9265	1.9285	1.9450	1.9500
0.015 Undersize	1.9215	1.9235	1.9400	1.9450