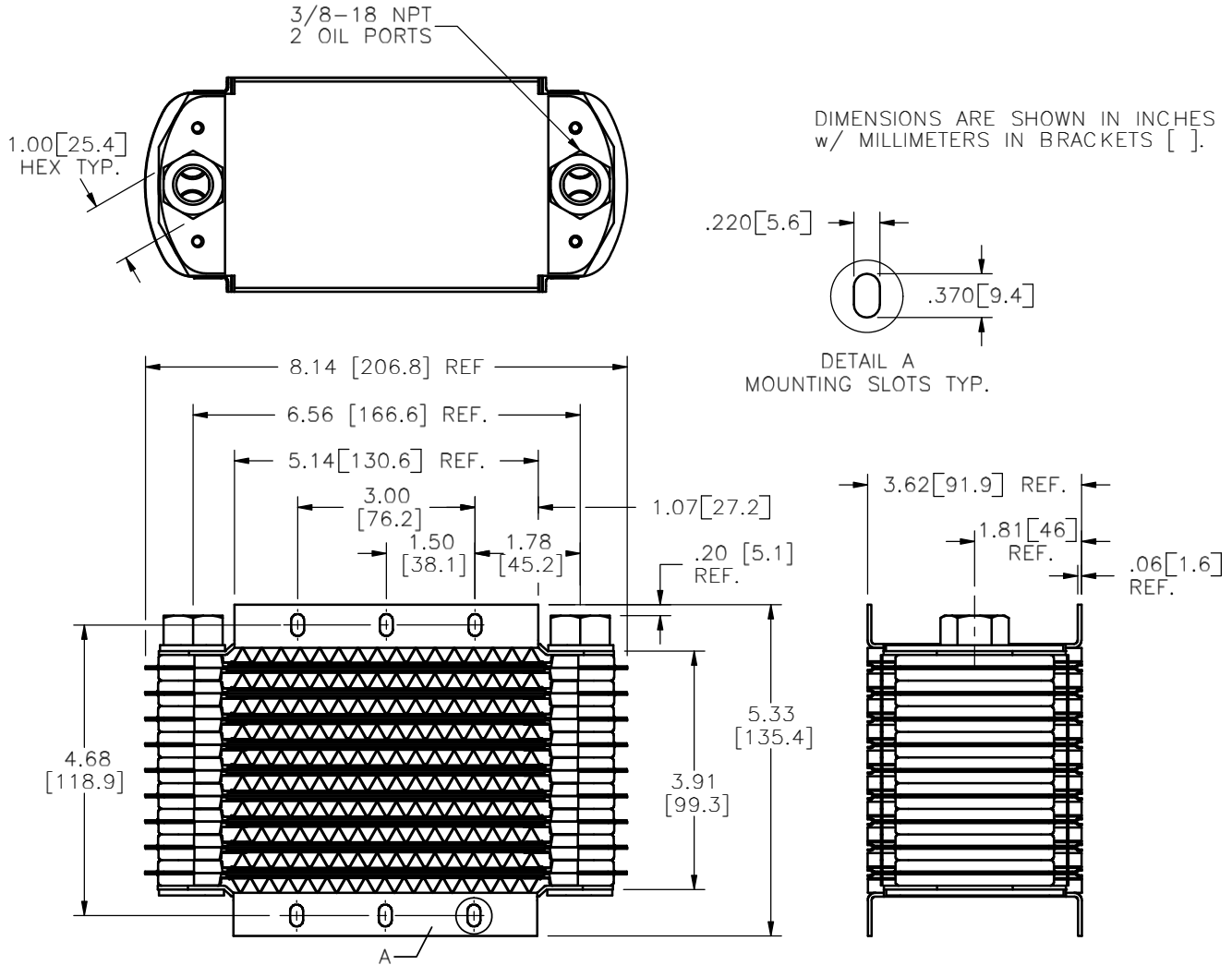




NIAGARA AIR PARTS INC.

AIRCRAFT OIL COOLER P/N: 20003A



DRY WEIGHT 2.4 LBS. 9 ROWS

FAA-PMA AIRCRAFT ELIGIBILITY:

Maule Aircraft: MS-235C, M6-235

**Piper Aircraft: PA28-236, PA32-301, PA-16, PA-18S, PA-18"105", PA-18S"105-18A,
 PA-18"125", PA-18S"125", PA-18AS"125", PA-18"135", PA-18S"135"
 PA-18AS"135", PA-18"150", PA-18A"150", PA-18S"150", PA-18AS"150"
 PA-19, PA-19S (T.C. 1A2)
 PA-18, PA-18A, PA-18S, PA18"105" Special, PA-18"125" (Army L-21A),
 PA-18S"125", PA-18AS"125", PA-18"135" (Army L-21B), PA-18A"135"
 PA-18S"135", PA-18AS"135", PA-18"150", PA-18A"150", PA-18S150"
 PA-18AS"150", PA-19 (Army L-18C, PA-19S (T.C. 1A2))**

REF. HARISON P/N: 8526250

REF. PIPER CODE NO.455-165

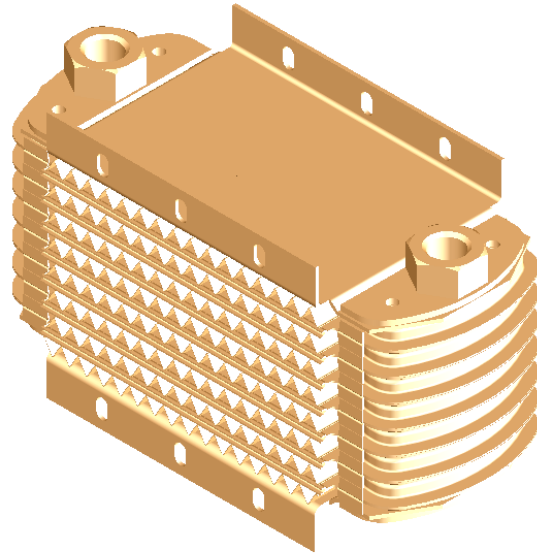
Niagara Air Parts Inc.
 2221 Niagara Falls Blvd
 Niagara Falls NY
 USA 14304
 (800) 565-4268
www.niagaraairparts.com
sales@niagaraairparts.com



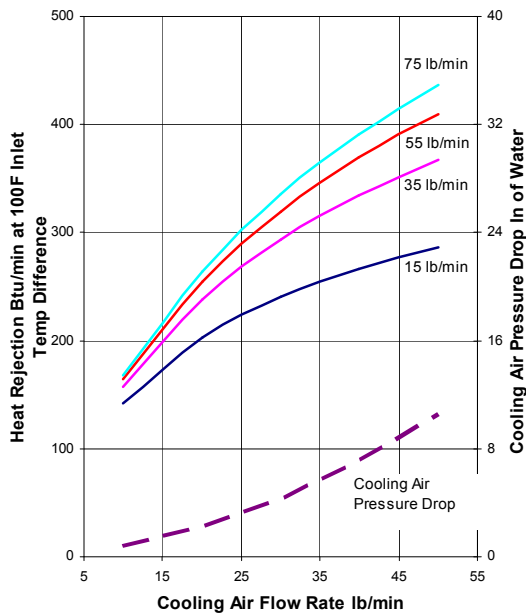
NIAGARA AIR PARTS INC.

AIRCRAFT OIL COOLER P/N: 20003A

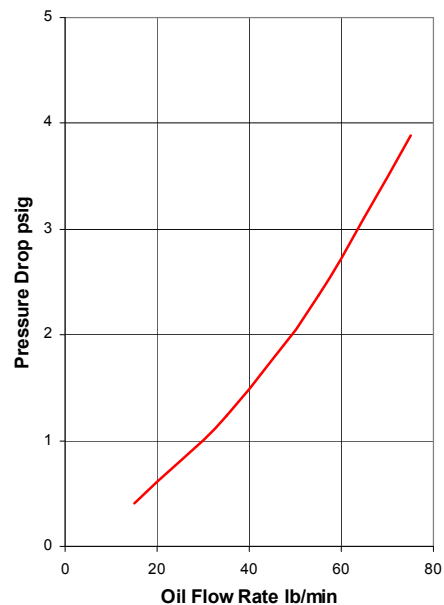
This Oil Cooler features lightweight vacuum brazed aluminum construction providing reliable service, efficient heat transfer and low pressure drop. All units have FAA-PMA and are proof pressure tested at 400 psig and leak tested at 100 psig. Corrosion protection is provided by MIL-C-5541 Class 1A chromicoat.



Heat Rejection and Cooling Air Pressure Drop



Oil Pressure Drop



Niagara Air Parts Inc.
2221 Niagara Falls Blvd
Niagara Falls NY
USA 14304
(800) 565-4268
www.niagaraairparts.com
sales@niagaraairparts.com