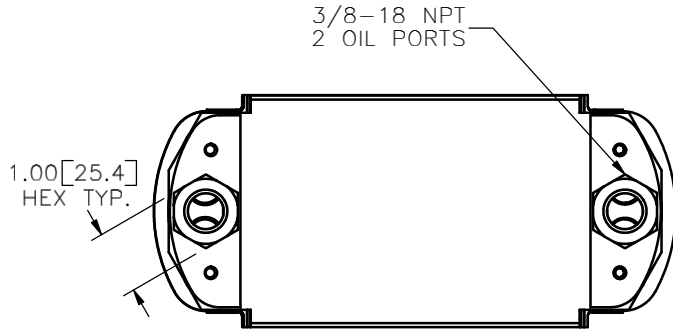


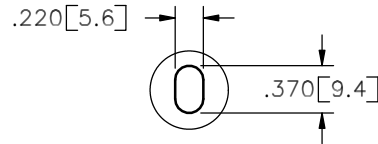


NIAGARA AIR PARTS INC.

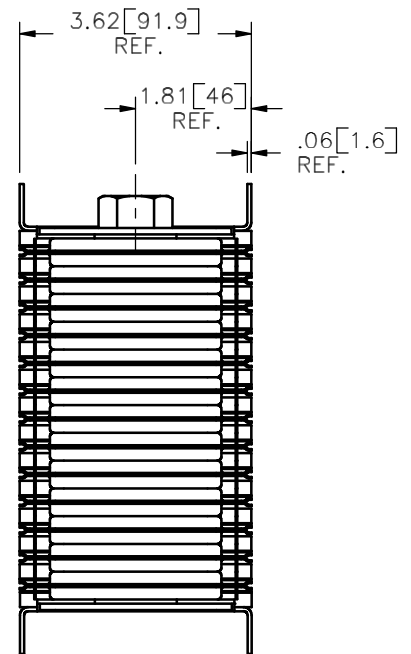
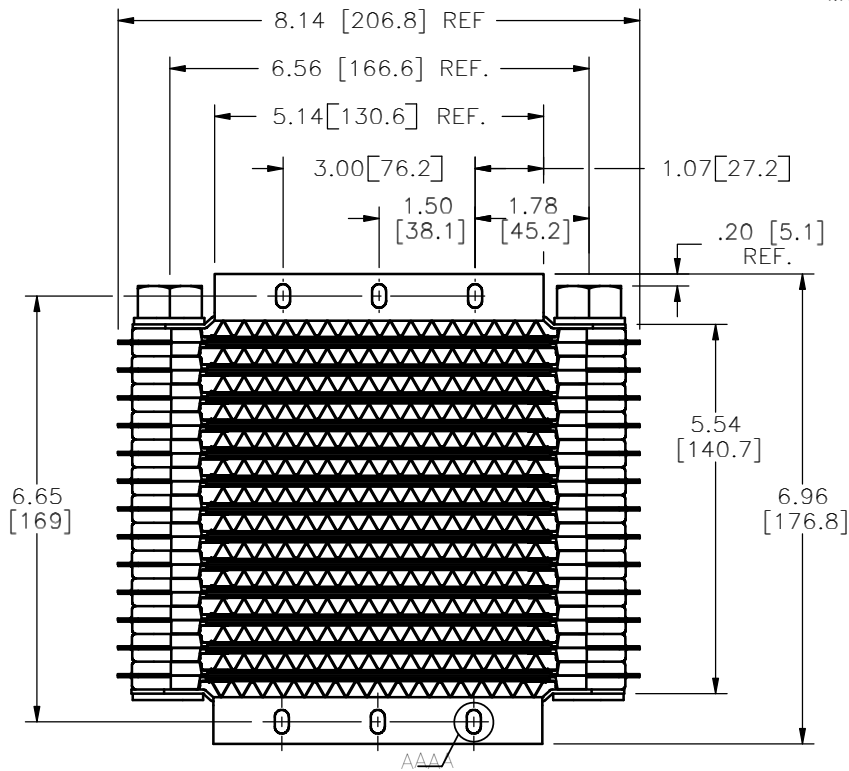
AIRCRAFT OIL COOLER P/N: 20006A



DIMENSIONS ARE SHOWN IN INCHES
w/ MILLIMETERS IN BRACKETS [].



DETAIL A
MOUNTING SLOTS TYP.



DRY WEIGHT: 3.0 LBS 13 ROWS

FAA-PMA AIRCRAFT ELIGIBILITY

**Pilatus Britten-Norman: BN-2A, BN-2B
Pitts Aerobatics-Pitts S2B**

**Harrison P/N REF. 8534108
REF. PIPER CODE NO. 455-113**

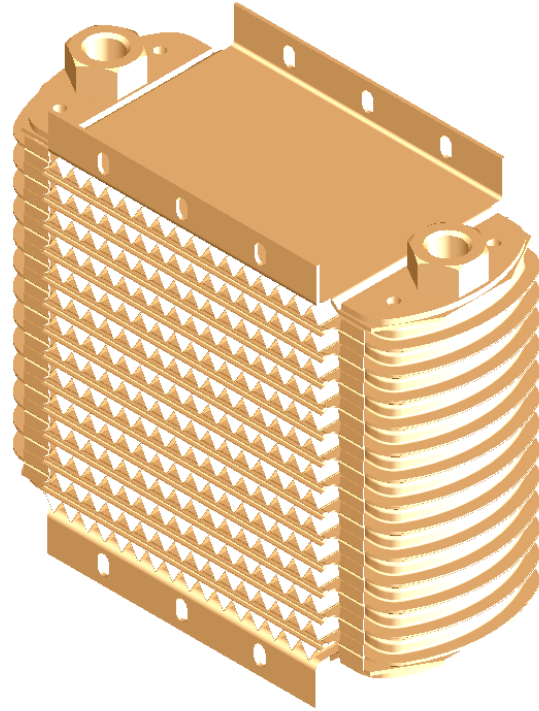
**Niagara Air Parts Inc.
2221 Niagara Falls Blvd
Niagara Falls NY
USA 14304
(800) 565-4268
www.niagaraairparts.com
sales@niagaraairparts.com**



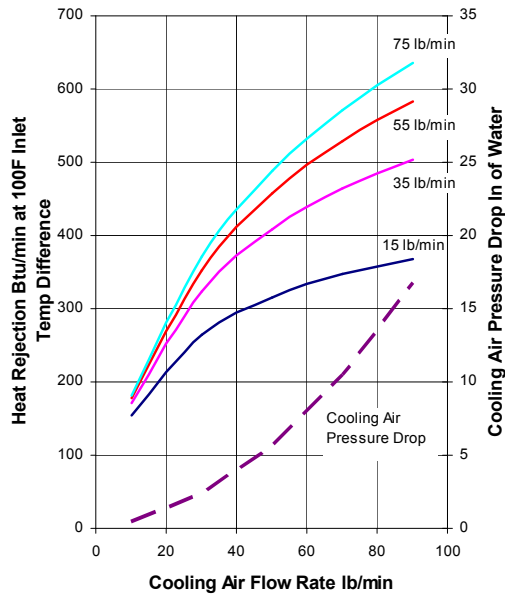
NIAGARA AIR PARTS INC.

AIRCRAFT OIL COOLER P/N: 20006A

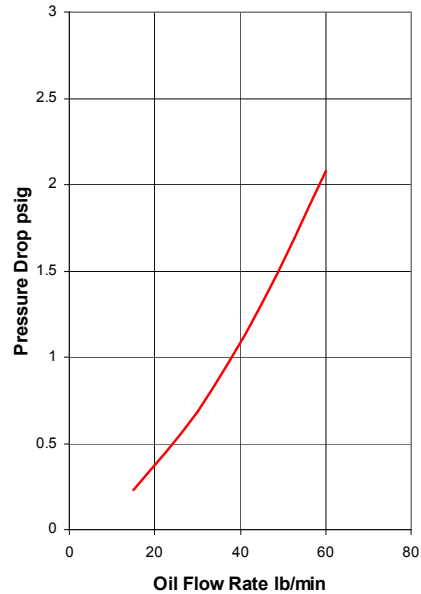
This Oil Cooler features lightweight vacuum brazed aluminum construction providing reliable service, efficient heat transfer and low pressure drop. All units have FAA-PMA and are proof pressure tested at 400 psig and leak tested at 100 psig. Corrosion protection is provided by MIL-C-5541 Class 1A chromicoat.



Heat Rejection and Cooling Air Pressure Drop



Oil Pressure Drop



Niagara Air Parts Inc.
 2221 Niagara Falls Blvd
 Niagara Falls NY
 USA 14304
 (800) 565-4268
www.niagaraairparts.com
sales@niagaraairparts.com