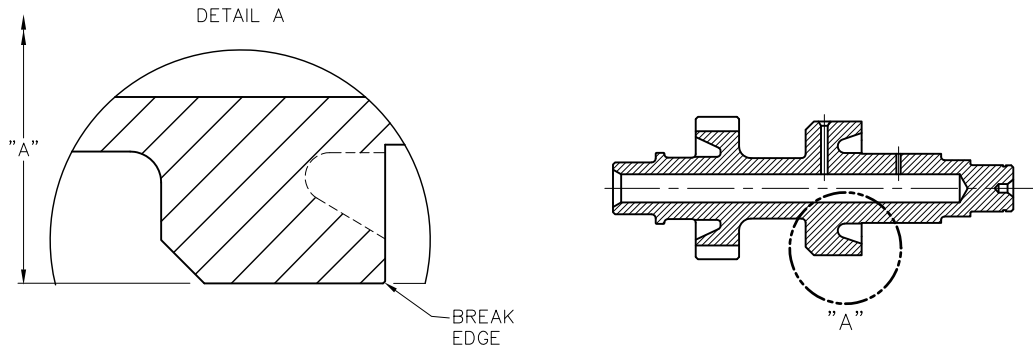
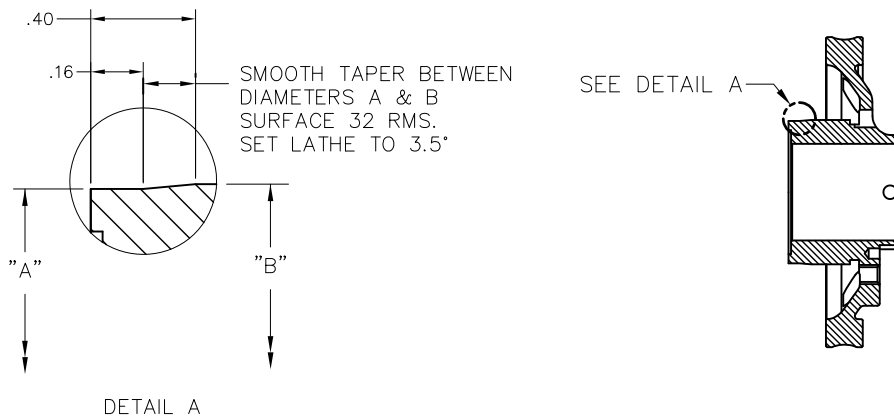


654565 SERIES SHAFT AND WORM WHEEL SIZES



Shaftgear Drum Dimensions		
Description	"A" Diameter	
	Min.	Max.
New Shaftgear Drum	1.9310	1.9320
0.015 Undersize	1.9160	1.9170



Worm Wheel Drum Dimensions				
Description	"A" Diameter		"B" Diameter	
	Min.	Max.	Min.	Max.
New Shaftgear Drum	1.9310	1.9320	1.9550	1.9600
0.015 Undersize	1.9160	1.9170	1.9400	1.9450