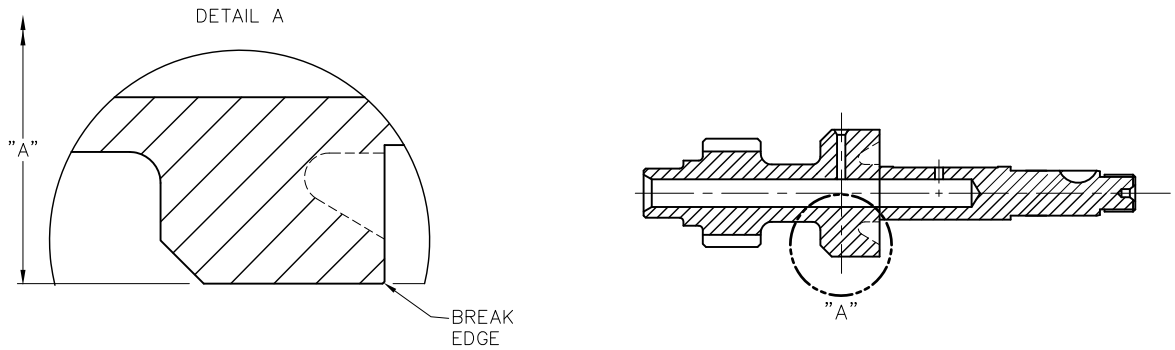
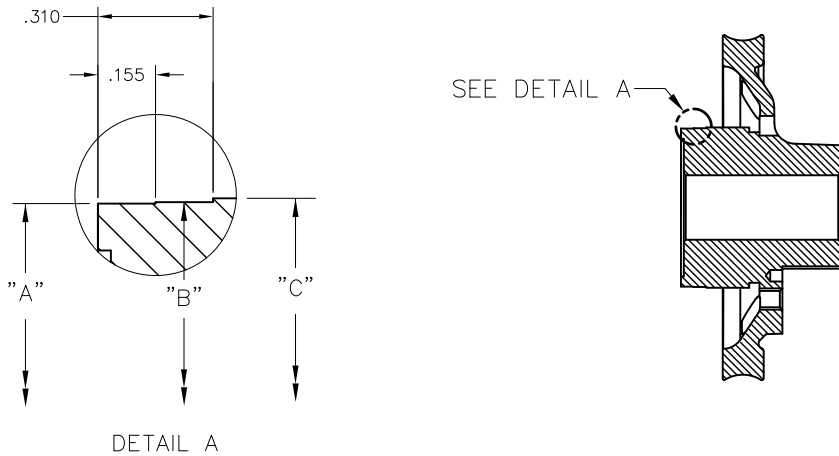


539800, 539601 SERIES SHAFT AND WORM WHEEL SIZES



| Shaftgear Drum Dimensions | | |
|---------------------------|--------------|--------|
| Description | "A" Diameter | |
| | Min. | Max. |
| New Shaftgear Drum | 1.9310 | 1.9320 |
| 0.015 Undersize | 1.9160 | 1.9170 |
| 0.028 Undersize | 1.9030 | 1.9040 |
| 0.030 Undersize | 1.9010 | 1.9020 |



| Worm Wheel Drum Dimensions | | | | | | |
|----------------------------|--------------|--------|--------------|--------|--------------|--------|
| Description | "A" Diameter | | "B" Diameter | | "C" Diameter | |
| | Min. | Max. | Min. | Max. | Min. | Max. |
| New Worm Wheel Drum | 1.9310 | 1.9320 | 1.9370 | 1.9380 | 1.9550 | 1.9600 |
| 0.015 Undersize | 1.9160 | 1.9170 | 1.9220 | 1.9230 | 1.9400 | 1.9450 |
| 0.028 Undersize | 1.9030 | 1.9040 | 1.9090 | 1.9100 | 1.9270 | 1.9320 |
| 0.030 Undersize | 1.9010 | 1.9020 | 1.9070 | 1.9080 | 1.9250 | 1.9300 |